

Wall mounted hair dryer

- Wall mounted hair dryer with hot airflow.
- Two speeds.
- Security switch ON/OFF.
- Wall base mounting support with two plugs.
- EU/USA plug for shavers.
- Suitable for public places and hotels.

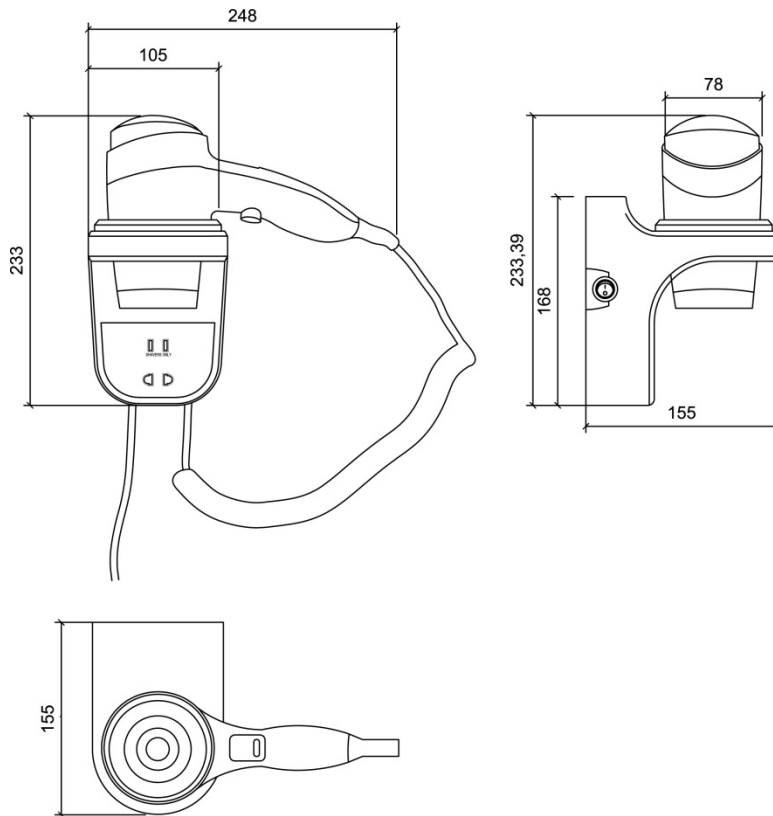

TECHNICAL DATA

- Material: of white ABS with diffuser and air inlet in chromed ABS.
- Dimensions: 233 height x 248 width x 155 depth (mm).
- Maximum cable length 1000 mm.
- Weight: 1,4 Kg.
- Voltage: 220-240 V~
- Frequency: 50/60 Hz.
- Power: 2200 W (máx.) – 1800 (min).
- Power Consumption: 9.6 A.
- Electrical isolation: Class II.
- Electrical Protection: IP20.
- Airspeed: 58 km/h
- Effective flow: 1300 l/ min.
- Noise level at 2m: 62 dbA.
- Air temperature (20°C ambient): 65°C to 10 cm
- Fixing material included.

SUGGESTED TEXT FOR PRESCRIPTION

Hair dryer NOFER wall based with hot airflow. Two speeds. Total Power: 2200 W. Dimensions: 233 height x 248 width x 155 depth (mm).

TECHNICAL DRAWING

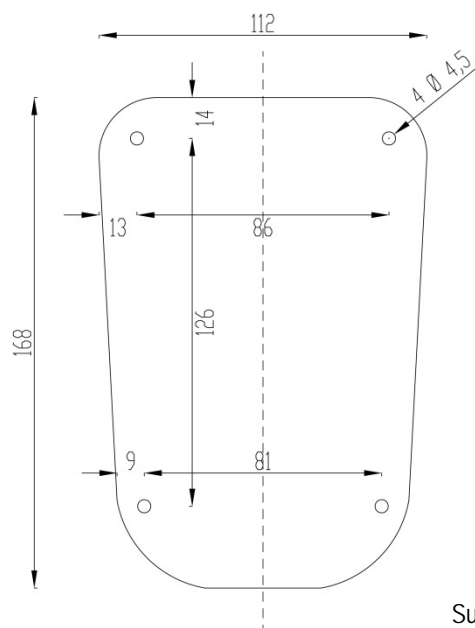


Dimensions in mm

SETTING UP

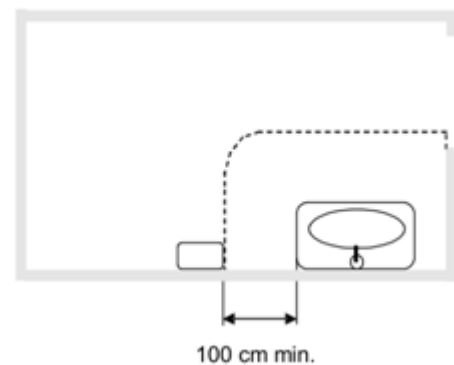
To the hair dryer set up, place the ring support where you want to install the hair dryer. Using it as a template, mark the position of the drills at the wall, then make the holes with a 6 mm drill. Introduce the wall plugs into the holes, place the ring and thread the screws. After, connect the plug-in. Once it is done, the hair dryer is ready to use.

The setting up should be as the fig-0 shows. Recommended height is 130 – 150 cm to the ground, or 110 in case of adapted bathrooms.



Support dimensions in mm

Fig-0



100 cm min.



NOFER S.L.
 Avenida de la fama, 118
 08940 - Cornellà de Llobregat (Barcelona)
 Tel +34 934 742 423 - Fax +34 934 743 548
 export@nofer.com - www.nofer.com