

Double liquid soap dispenser

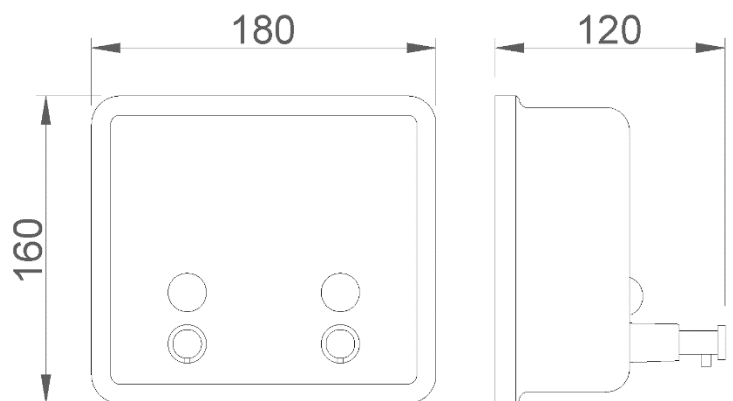
- Horizontal double liquid soap dispenser with push button for wall installation.
- Activation with push button.
- Stainless steel sheet housing gloss finish.
- Suitable for public areas and high frequency of use.
- Durability and resistance to use.
- Robust, anti-vandalism and manufactured without edges or sharp edges for safety in use.


TECHNICAL DATA

- Made of AISI 304 stainless steel gloss finished, one piece housing and 1 mm thickness.
- Double deposit. Capacity per deposit: 600 liters. Refillable.
- Installation: 3 hidden points for fixing to the wall. Screws included.
- Push button made of plastic material.
- Anti-vandalism visor with polycarbonate content.
- Dimensions: 160 height x 180 width x 120 depth (mm).
- Weight (empty): 0,7 kg.
- Quantity expended per pulse: 1,1 ml.
- Recommended height of installation on countertop: 120 - 200 mm.
- Suitable for all types of soaps (except surgical).
- Maintenance: stainless steel needs maintenance because dust can eventually damage the chromium (Cr) content in stainless steel. We recommend monthly cleaning with a stainless steel special cleaner.

SUGGESTED TEXT FOR PRESCRIPTION

NOFER double liquid soap dispenser with activation by push button, wall installation, horizontal, made of stainless steel AISI 304 gloss finish. Dimensions: 160 height x 180 width x 120 depth (mm). Capacity: 1,2 liters.

TECHNICAL DRAWING


DIMENSIONS IN mm



NOFER S.L.
 Avenida de la fama, 118
 08940 · Cornellà de Llobregat (Barcelona)
 Tel +34 934 742 423 · Fax +34 934 743 548
 export@nofer.com · www.nofer.com

Related Products
