

Toilet roll paper dispenser

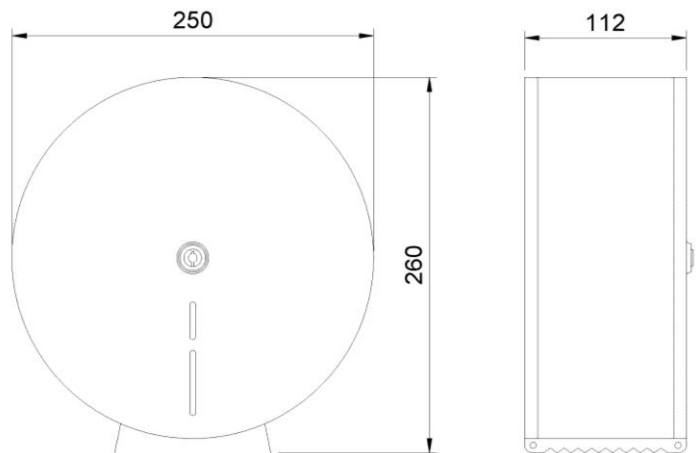
- Wall mounted toilet roll paper dispenser.
- Frontal opening.
- Durability and resistance against rust.
- Frontal inspection slot to indicate refill level.
- Security lock with key included.
- Made in white epoxy finished stainless steel. Also available satin finish (NOFER 05001.S) and polished finish (NOFER 05001.B).


TECHNICAL DATA AND COMPONENTS

- Made in stainless steel.
- Dimensions: 260 height x 250 width x 112 depth (mm).
- Refilling: paper rolls 250 m / 300 m. Maximum paper diameter 23 cm.
- Consumable: NOFER 06001 and 06001.E.
- Maintenance: stainless steel requires maintenance, after some time dust may damage the stainless steel chrome. We recommend a regular cleaning with our specific stainless steel cleaner.

SUGGESTED TEXT FOR PRESCRIPTION

NOFER industrial stainless steel toilet paper roll dispenser. Wall mounting. Designed for industrial roll paper 250-300 m, with refill inspection slot and security key. Dimensions: 260 height x 250 width x 112 depth (mm).

TECHNICAL DRAWING


DIMENSIONS IN mm



NOFER S.L.
 Avenida de la fama, 118
 08940 · Cornellà de Llobregat (Barcelona)
 Tel +34 934 742 423 · Fax +34 934 743 548
 export@nofer.com · www.nofer.com

Related Products

05015.S

05101.B

05028.T

05107.B

05005

05030.S