

Toilet paper dispenser

- Toilet roll paper dispenser to fix to wall.
- Frontal opening and refilling.
- Durability and resistance.
- Made of white epoxy steel. Also available in polish finished stainless steel (NOFER 05001.XL.B) and satin finished stainless steel (NOFER 05001.XL.W).
- With frontal content viewer.
- Security lock with key included.



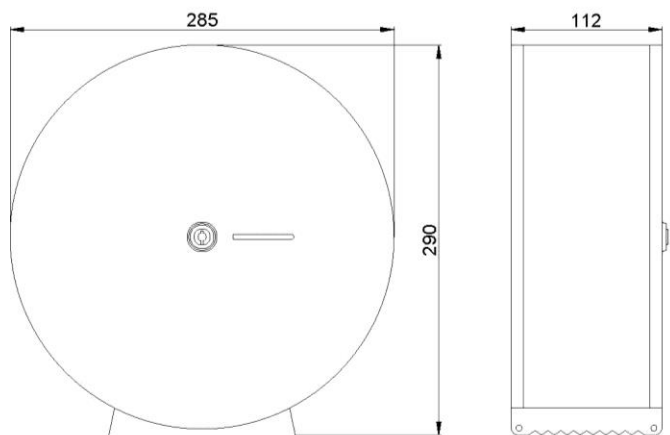
TECHNICAL DATA AND COMPONENTS

- Made white epoxy steel. Plate thickness: 0,8 mm.
- Axle diameter: 40 mm.
- Dimensions: 290 height x 285 width x 112 depth (mm).
- Consumable: 500 m paper rolls (aprox.). Maximum roll diameter 280 mm.
- Maintenance: we recommend a regular cleaning with a soft cloth slightly dampened with water and neutral soap, rinse and dry thoroughly.

SUGGESTED TEXT FOR PRESCRIPTION

NOFER, white epoxy steel toilet paper roll dispenser, to fix to wall. Designed for industrial rolls, with capacity viewer in front and security key. Dimensions: 290 height x 285 width x 112 depth (mm).

TECHNICAL DRAWING



DIMENSIONS IN mm



NOFER S.L.  
 Avenida de la fama, 118  
 08940 · Cornellà de Llobregat (Barcelona)  
 Tel +34 934 742 423 · Fax +34 934 743 548  
 export@nofer.com · www.nofer.com

Related Products



05015.S



05101.B



05105.B



05107.B



05005.W



05001.S