

**Extendable magnifying mirror**

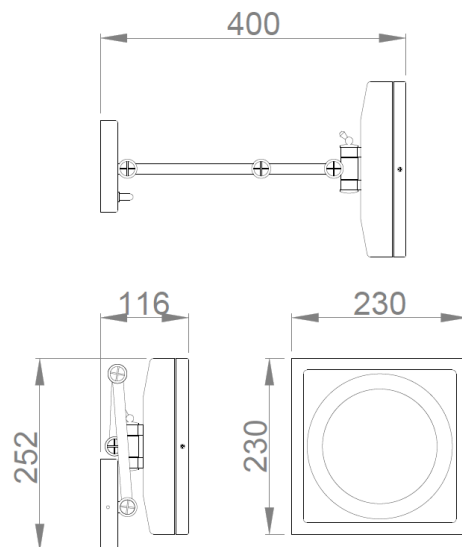
- Square extensible mirror of 3 increases.
- LED backlight.
- Wall installation.
- With extendable arm.
- Gloss finish.
- Durability and resistance to corrosion.
- In accordance with European CE regulation.


**TECHNICAL DATA**

- Made of brass and stainless steel, gloss finish.
- Connected to network. Includes plug with 80 cm cable.
- Unfolded dimensions: 252 height x 230 width x 400 depth (mm).
- Folding dimensions: 252 height x 230 width x 116 depth (mm).
- Mirror dimensions: 202 height x 202 width (mm).
- Extendable arm of 284 mm.
- Wall mounting rosette 100 x 100 (mm) with lighting drive.
- Includes fixing screws.
- Thickness mirror body 45 mm.

**SUGGESTED TEXT FOR PRESCRIPTION**

Square NOFER mirror with extendable arm made of brass and stainless steel to fix to the wall, gloss finish. LED backlight. Magnifying mirror x3. Unfolded dimensions: 252 height x 230 width x 400 depth (mm). Folding dimensions: 252 height x 230 width x 116 depth (mm). Mirror dimensions: 202 height x 202 width (mm).

**TECHNICAL DRAWING**


DIMENSIONS IN mm



NOFER S.L.  
 Avenida de la fama, 118  
 08940 · Cornellà de Llobregat (Barcelona)  
 Tel +34 934 742 423 · Fax +34 934 743 548  
 nofer@nofer.com · www.nofer.com

**Related Products**

**08012.B**

**08007.B**

**08009.2.B**

**08015.B**