

Magnifying extensible mirror

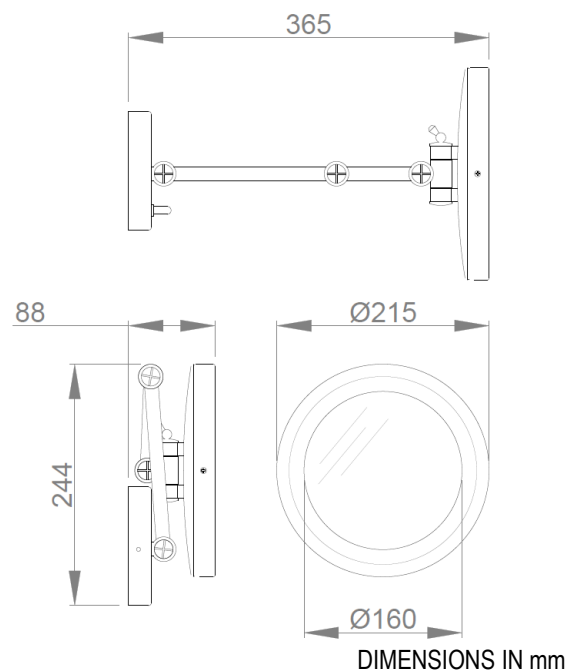
- Magnifying (3x) extensible mirror.
- LED lighting.
- Wall mounted installation.
- Extensible arm.
- Polish finished.
- Durability and resistance against corrosion.
- According the CE norms.


TECHNICAL DATA

- Made of polish finished chromed brass.
- Mains powered. Equipped with plug and 80 cm cable.
- Unfolded dimensions: Ø215 height x Ø215 width x 365 depth (mm).
- Folding dimensions: 244 height x Ø215 width x 88 depth (mm).
- Mirror dimensions: Ø160 mm.
- 260 mm extensible arm.
- Ø120 mm wall fixing plate with lighting activation switch.
- Fixing materials included.
- Mirror body thickness: 35 mm.

SUGGESTED TEXT FOR PRESCRIPTION

Round NOFER mirror with extendable chromed brass arm and stainless steel, to fix to the wall, polish finished. LED lighting. Magnifying mirror x3. Unfolded dimensions: Ø215 height x Ø215 width x 365 depth (mm). Folding dimensions: 244 height x Ø215 width x 88 depth (mm). Mirror dimensions: Ø160 mm.

TECHNICAL DRAWING


NOFER S.L.
 Avenida de la fama, 118
 08940 · Cornellà de Llobregat (Barcelona)
 Tel +34 934 742 423 · Fax +34 934 743 548
 nofer@nofer.com · www.nofer.com

Related Products

08012.B

08007.B

08009.2.B

08015.B