

Toilet brush

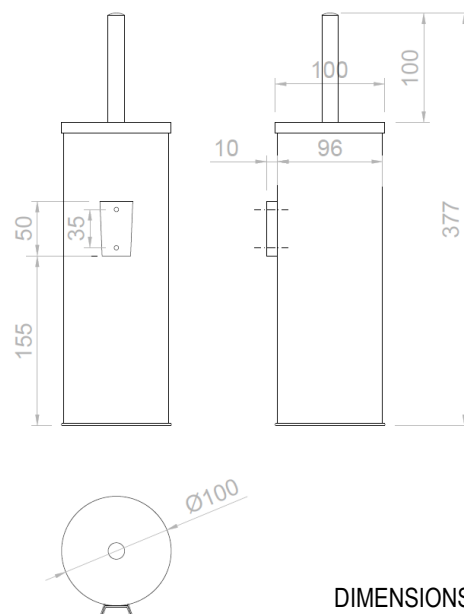
- Stainless steel toilet brush.
- Satin finish.
- Suitable for collectivities.
- Resistance and durability against corrosion.
- Rear fixing plate included.


TECHNICAL DATA

- Made in satin finished AISI 430 stainless steel.
- Dimensions: 377 height, Ø110 (mm).
- Thickness of the sheet: 0,5 (mm).
- Two wall fixing drills. Fixing materials included.
- Internal cup made of white polypropylene (dimensions: 140 mm height, Ø 86 mm).

SUGGESTED TEXT FOR PRESCRIPTION

NOFER toilet brush, in AISI 304 stainless steel satin finish.
Dimensions: 377 height, Ø110 (mm).

TECHNICAL DRAWING


DIMENSIONS IN mm



NOFER S.L.
Avenida de la fama, 118
08940 · Cornellà de Llobregat (Barcelona)
Tel +34 934 742 423 · Fax +34 934 743 548
nofer@nofer.com · www.nofer.com

Related products
