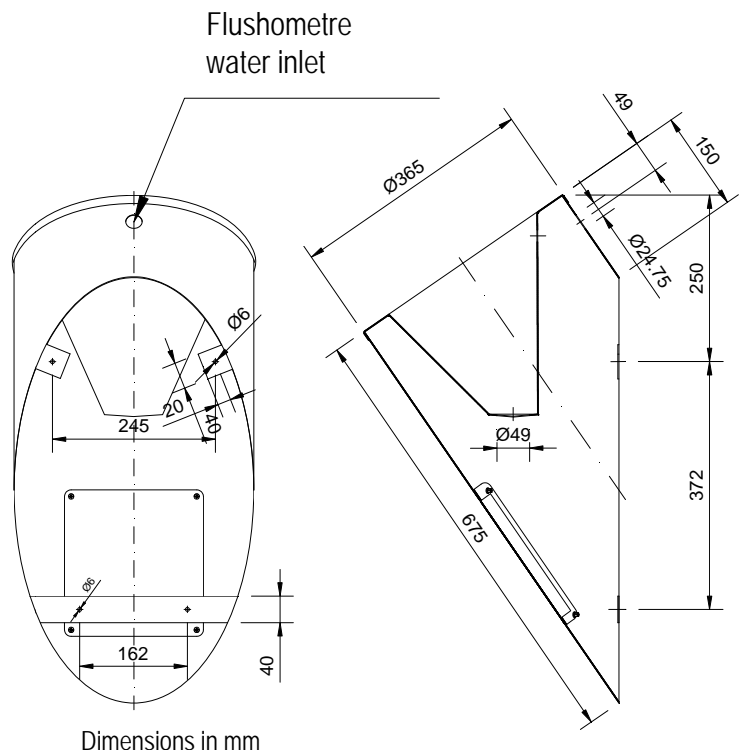


Wall mounted urinal

- AISI 304 stainless steel urinal.
- Durability and resistance against corrosion.
- Polished finish stainless steel. Also available in satin finish (NOFER 13001.S).
- Suitable for surface mounting flushometer water inlet.
- Suitable for collectivities and designed for high traffic bathroom and continuous use.
- Without edges for a safe use.


TECHNICAL DATA

- Made of AISI 304 stainless steel. Plate thickness 1,2 mm.
- Optional: concealed supporting frames NOFER 13101, 13102, 13103, 13104, 13101.2 .
- Optional: valve and siphon NOFER 13114.
- Maintenance: stainless steel needs maintenance because dust can eventually damage the chrome in stainless steel. We recommend monthly cleaning with our special product.

TECHNICAL DRAWING

SUGGESTED TEXT FOR PRESCRIPTION

NOFER AISI 304 stainless steel urinal or similar, wall mounted.
Suitable for surface mounted flushometer water inlet.



NOFER S.L.
Avenida de la fama, 118
08940 · Cornellà de Llobregat (Barcelona)
Tel +34 934 742 423 · Fax +34 934 743 548
export@nofer.com · www.nofer.com

**Related
Products**

13002.S

13004.S

13004.P.S

13008.S

13003.12.S

13007.S