

Squat pan

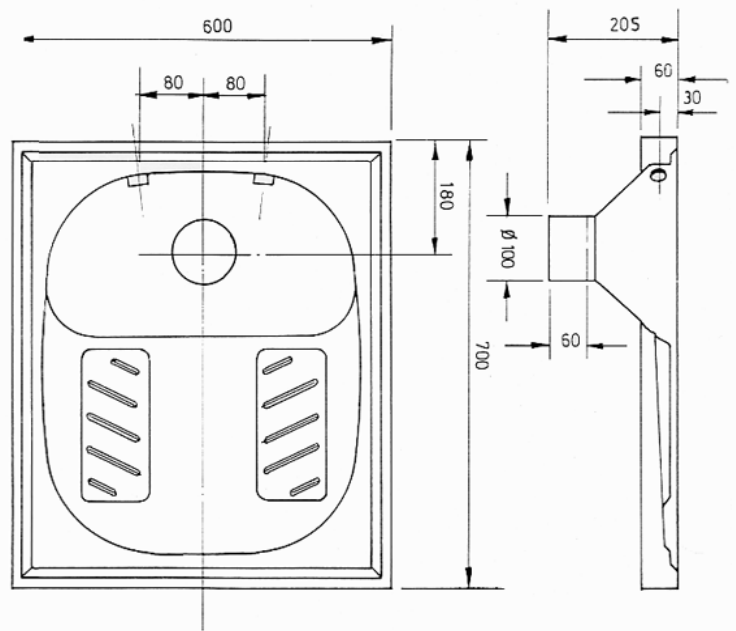
- AISI 304 stainless steel squat pan.
- Vandal proof, one piece built in.
- Not edges at all for ensure a safety use.
- Anti slip foot surface.
- Suitable for high frequency use.
- Easy to clean, durability and resistance against rust and corrosion.



TECHNICAL DATA

- Made in AISI 304 stainless steel, one piece built in.
- Stainless steel plate thickness: 1,5 mm.
- Two screwed water inlets 1/2 " G.
- Water outlet 100 mm.
- Dimensions: 205 high x 600 wide x 700 deep mm.
- Suitable for manual or electronic flushing systems.

TECHNICAL DRAWING



Dimensions in mm

SUGGESTED TEXT FOR PRESCRIPTION

NOFER or similar, squat pan made in AISI 304 stainless steel. Anti-slip foot surface. Dimensions: 205 high x 600 wide x 700 deep mm.



NOFER S.L.
 Avenida de la fama, 118
 08940 · Cornellà de Llobregat (Barcelona)
 Tel +34 934 742 423 · Fax +34 934 743 548
 export@nofer.com · www.nofer.com

Related Products



13016.S



13002.S



13012.S



13018.B



13021



13022