

Squat pan

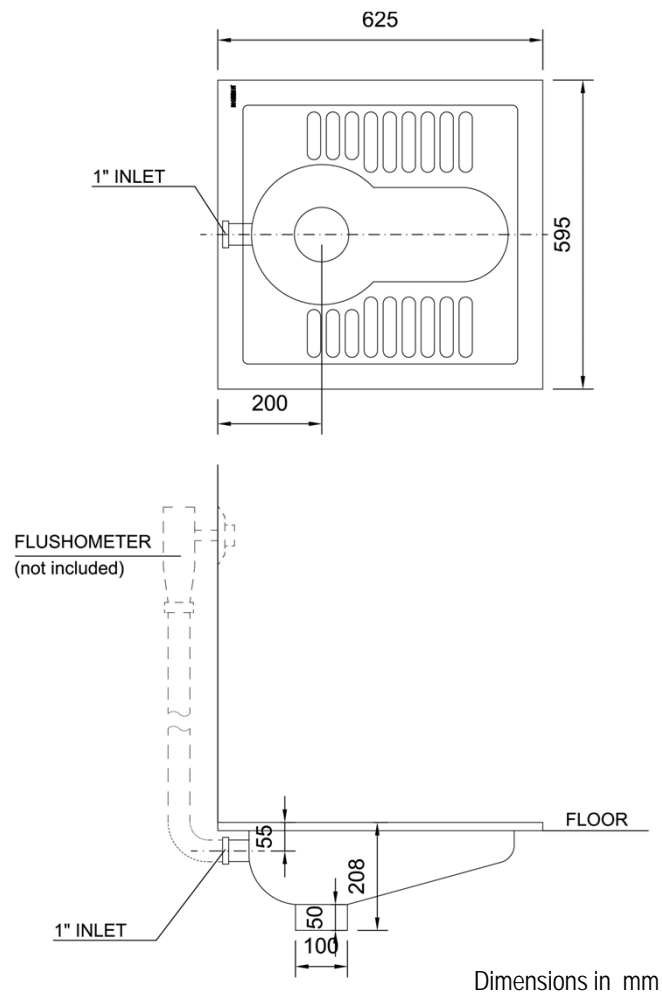
- AISI 304 stainless steel squat pan.
- Vandal proof, one piece to build in.
- No cutting edges for better security.
- Designed for high frequency use.
- Easy to clean, durable and resistant against rust.
- Nonslip footpads.



TECHNICAL DETAILS

- Made of polish finished AISI 304 stainless steel, 1 mm thickness.
- Dimensions: 595 high x 625 width x 208 depth (mm).
- Water inlet 1" G.
- Outlet Ø 100 mm.
- Designed for manual or electrical flushing systems.

TECHNICAL DRAWING



SUGGESTED TEXT FOR PRESCRIPTION

NOFER or similar, vandal proof squat pan. Made of AISI 304 polish finished stainless steel. Dimensions: 595 high x 625 width x 208 depth (mm).



NOFER S.L.
 Avenida de la fama, 118
 08940 · Cornellà de Llobregat (Barcelona)
 Tel +34 934 742 423 · Fax +34 934 743 548
 nofer@nofer.com · www.nofer.com

Related Products



13016.S



13002.S



13012.S



13018.B



13020



13004.S