

Wall wastepaper bin

- Stainless steel paper bin to fix to the wall.
- Durability and resistance.
- With swing cover, removable for easy cleaning.
- Recommended for interior places as public offices, malls, schools, airports, etc.
- Fully welded without edges for a safe use.
- It has internal hooks to hold plastic bags.



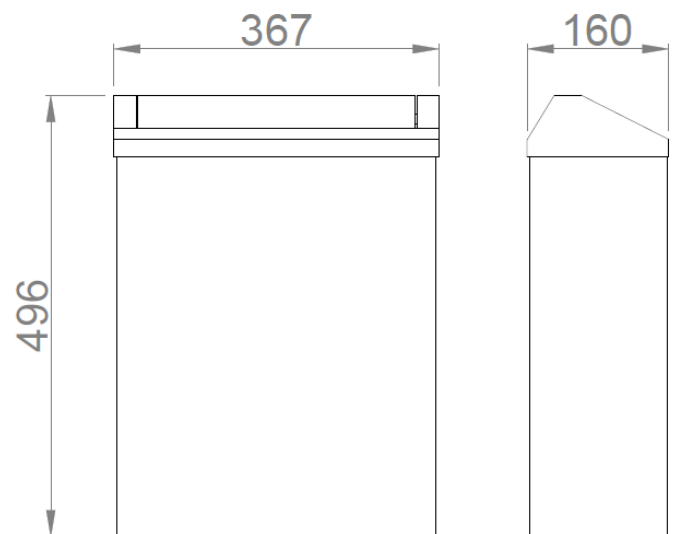
TECHNICAL DATA

- Made white painted steel.
- Two wall anchoring points. Screws included.
- Capacity: 23 liters.
- Dimensions: 496 height x 367 width x 160 depth (mm).

SUGGESTED TEXT FOR PRESCRIPTION

Wastepaper bin NOFER in white painted steel. To fix to wall. Capacity: 23 liters. Dimensions: 496 height x 367 width x 160 depth (mm).

TECHNICAL DRAWING



DIMENSIONS IN mm



NOFER S.L.
 Avenida de la fama, 118
 08940 · Cornellà de Llobregat (Barcelona)
 Tel +34 934 742 423 · Fax +34 934 743 548
 export@nofer.com · www.nofer.com

Related Products



14025



14115.S



14096.2.S



14122.2.S



14098.2.W



14098.2.S