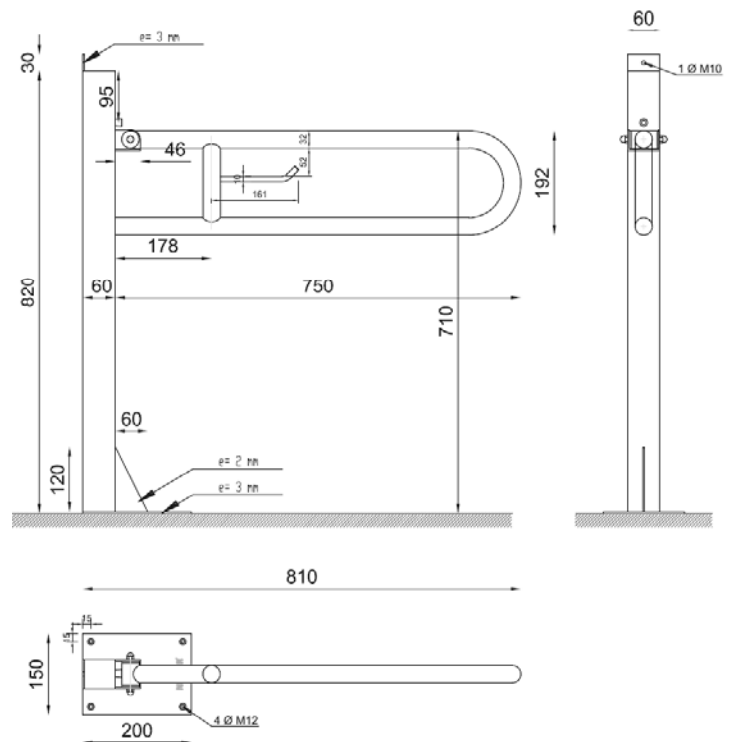


Swing-up grab bar with anchor to floor

- Swing-up grab bar with anchor to floor.
- Suitable for bathroom and WC, bidet.
- Stainless steel Nylon finish.


TECHNICAL DATA

- Made of AISI 304 stainless steel coated with white Nylon.
- Swing-up length: 750 mm.
- Total length: 810 mm.
- Total height: 820 mm.
- Mast section: 60x60 mm.
- Bars: Ø 32 mm.
- Maintenance: stainless steel needs maintenances because the dust can eventually damage the chrome of the stainless steel AISI 304. We recommend monthly cleaning with our special product.
- Fixing materials included.

TECHNICAL DRAWING


Dimensions in mm

The picture belongs to NOFER 15064.S

SUGGESTED TEXT FOR PRESCRIPTION

Swing-up grab bar with anchor to floor NOFER or similar, in AISI 304 stainless steel coated with white Nylon. Total length: 810 mm. Total height: 820 mm. Mast section: 60x60 mm. Bars: Ø 32 mm.



NOFER S.L.
 Avenida de la fama, 118
 08940 · Cornellà de Llobregat (Barcelona)
 Tel +34 934 742 423 · Fax +34 934 743 548
 export@nofer.com · www.nofer.com

Related Products
