

Towel ring

- Towel ring.
- Durability and resistance against corrosion.
- Suitable for public areas with high use frequency.
- Stainless steel black finish.



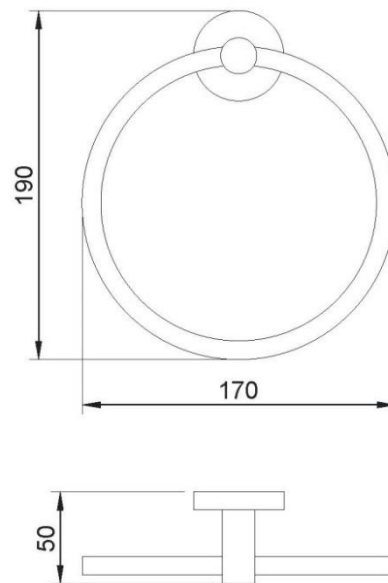
TECHNICAL DATA

- Made of AISI 304 stainless steel black finish.
- Dimensions: 190 height x 170 width x 50 depth (mm).
- Hidden wall fixations included.

SUGGESTED TEXT FOR PRESCRIPTION

Towel ring NOFER, in AISI 304 stainless steel. Dimensions: 190 height x 170 width x 50 depth (mm).

TECHNICAL DRAWING



DIMENSIONS IN mm



NOFER S.L.  
 Avenida de la fama, 118  
 08940 · Cornellà de Llobregat (Barcelona)  
 Tel +34 934 742 423 · Fax +34 934 743 548  
 export@nofer.com · www.nofer.com

Related Products

