

Glass with wall support

- Glass with wall support.
- Durability and resistance against corrosion.
- Black finished stainless steel.



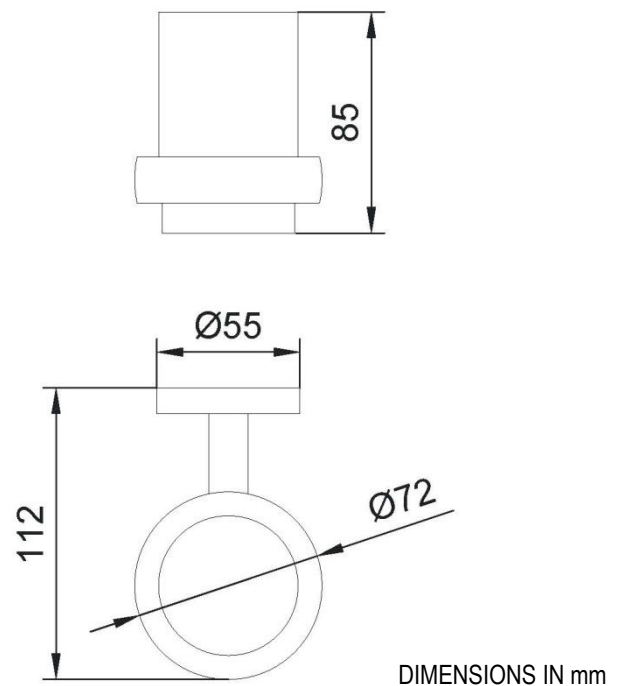
TECHNICAL DATA

- Made of AISI 304 stainless steel.
- Dimensions: 85 height x 72 width x 112 depth (mm).
- Hidden wall fixations included.

SUGGESTED TEXT FOR PRESCRIPTION

NOFER glass with support made of AISI 304 stainless steel.  
Dimensions: 85 height x 72 width x 112 depth (mm).

TECHNICAL DRAWING



NOFER S.L.  
Avenida de la fama, 118  
08940 · Cornellà de Llobregat (Barcelona)  
Tel +34 934 742 423 · Fax +34 934 743 548  
export@nofer.com · www.nofer.com

Related Products						
	16850.N	16852.N	16851.N	16854.N	16855.N	16856.N