

Set with hand dryer, soap dispenser and tap


- Countertop set with hand dryer, soap dispenser and tap with electronic sensor.
- Anodized forged aluminum set, gold finish. Also available in titanium finish (NOFER 01902.T), black finish (NOFER 01902.BK), silver finish (NOFER 01902.S), polish finish (NOFER 01902.B) and rose gold finish (NOFER 01902.RS).
- Timeless design adaptable to any type of decoration.
- Robust and safe to be built without sharp edges or other dangerous elements.
- Durability and resistance to corrosion.
- Suitable for collectivities and places of high frequency of use.
- In accordance with the European directives of electrical safety and electromagnetic compatibility (CE).

SUGGESTED TEXT FOR PRESCRIPTION

NOFER countertop set with hand dryer, soap dispenser and tap activated with electronic infrared sensor and adjustable sensitivity. Made in anodized forged aluminum, gold finish. Independent control module with ABS plastic housing. 1200 W, 220-240 V, 50 Hz. Universal hand dryer motor speed 32000 r.p.m. Faucet with NEOPERL aerator of 1,89 l/min of flow. Soap dispenser with 1,2 liter tank and adjustable dosage. Modern design, robust and resistance to corrosion. Suitable for collectivities and places of high frequency of use. Tap/dispenser/hand dryer dimensions: 318,6 height x 230 width x 286 depth (mm). Dimensions control module: 307 height x 281,4 width x 210 depth (mm). Made by NOFER, S.L.

TECHNICAL DATA

| DISPENSER / TAP | |
|---|---|
| BOX DIMENSIONS | |
| BOX WEIGHT | |
| TAP DIMENSIONS MODEL 'HIGH' (assembled) | 318,6 X 230 X 286 mm |
| TAP DIMENSIONS MODEL 'LOW' (assembled) | 188 X 230 X 263 mm |
| TAP WEIGHT MODEL 'HIGH' | 2 Kg |
| TAP WEIGHT MODEL 'LOW' | 1,8 Kg |
| INSTALLATION | ON COUNTER DESK (SINK) |
| SINK REQUIRED HOLE DIAMETER | Ø35 mm |
| MATERIALS | |
| Colon | Extruded 6063 T5 aluminium. Averaged thickness 5 mm |
| Wheel base | Brigh PC plastic. Averaged thickness 3 mm. |
| wheel cover | Forged 6063 T5 aluminium. Averaged thickness 2.5 mm |
| Water pipe | EPDM (food grade) covered with stainless steel mesh. |
| Fittings | Chrome plated CW508L (EN 1652) brass |
| FINISHINGS | |
| 01901.B | Chrome plated according with EN248 standards |
| 01901.S | Sandblasting. Natural anodized 18 microns thickness (ISO 15184 / ISO 9227/ ISO 1134) |
| 01901.T | Sandblasting. Titanium anodized 20 microns thickness (ISO 15184 / ISO 9227/ ISO 1134) |
| 01901.BK | Sandblasting. Black anodized 20 microns thickness (ISO 15184 / ISO 9227/ ISO 1134) |
| 01901.GD | Sandblasting. Gold anodized 20 microns thickness (ISO 15184 / ISO 9227/ ISO 1134) |
| 01901.RS | Sandblasting. Rosé anodized 20 microns thickness (ISO 15184 / ISO 9227/ ISO 1134) |
| ACTIVATION | INFRARED SENSORS. SENSIBILITY CAN BE REGULATED |
| SENSOR SENSIBILITY | FROM 1 TO 15 CM (FACTORY SETUP: 8 cm) |
| WATER FLOW (WITH SPRAY SLIM AREATOR) | 1.89 l/m (3 Bar) - ENCLOSED ALTERNATIVE: 5 l/min (3 Bar) |
| AREATOR | NEOPEARL |
| NOISE LEVEL AT 2m | 70 db |



NOFER S.L.
 Avenida de la fama, 118
 08940 · Cornellà de Llobregat (Barcelona)
 Tel +34 934 742 423 · Fax +34 934 743 548
 nofer@nofer.com · www.nofer.com

Related Products

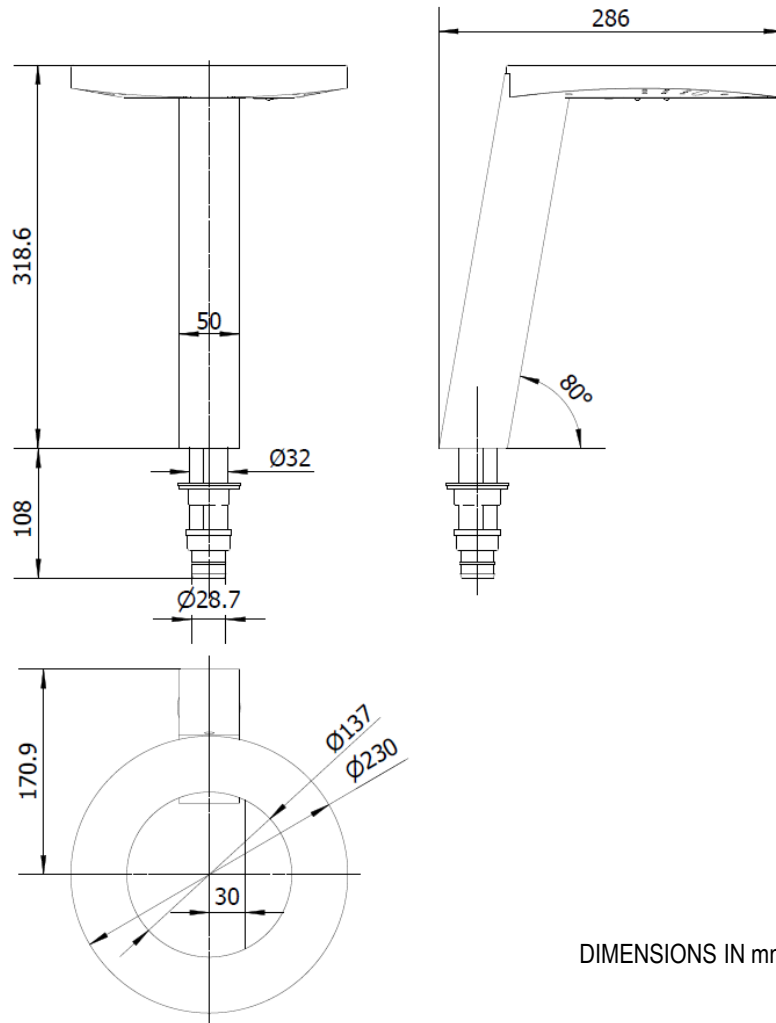
01901.T
01901.BK
01901.S
01901.B
01901.RS

TECHNICAL DATA

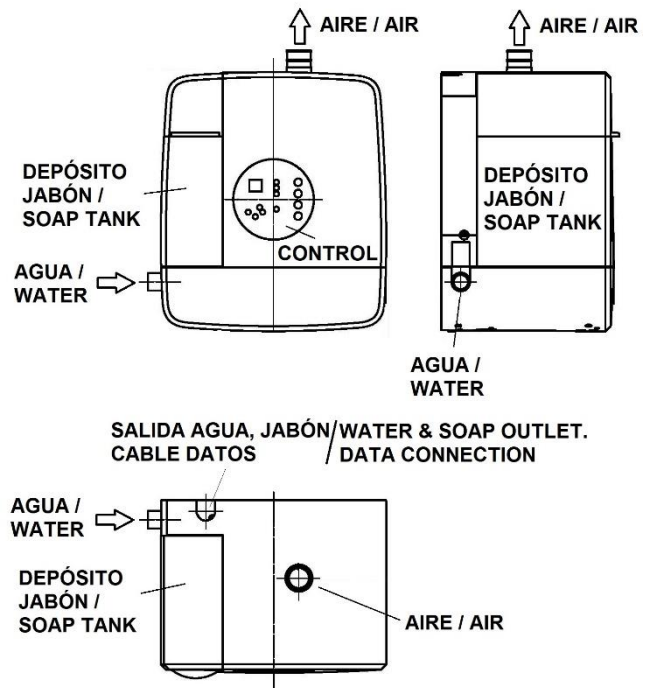
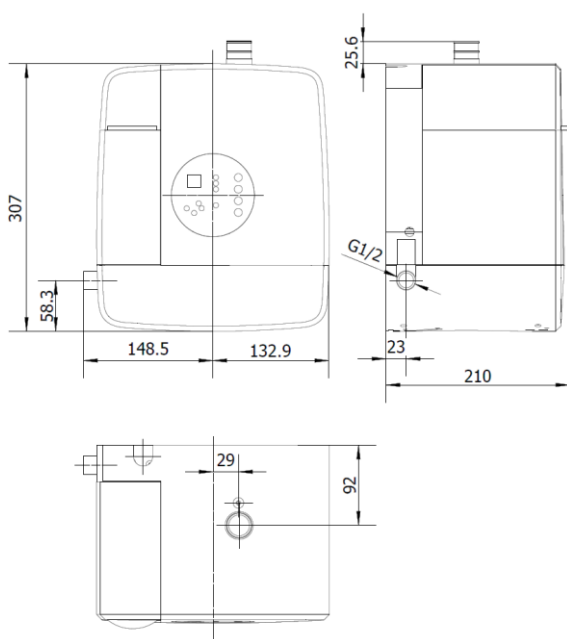
| CONTROL MODULE | |
|--|--|
| BOX DIMENSIONS | |
| BOX WEIGHT | |
| CONTROL MODULE DIMENSIONS | 307 X 281,4 X 210 mm |
| CONTROL MODULE WEIGHT (WITHOUT SOAP) | 3,8 Kg |
| INSTALLATION | WALL MOUNTED OR FLOOR STANDING USING 'SILENTBLOCKS' (+50 mm in total height) |
| SET UP PARAMETERS | |
| CHECKING PROGRAM | SENSOR OPERATION TEST |
| SOAP CIRCUIT PURGER PUSH BUTTON | INCLUDED |
| SOAP DOSAGE | FROM 0 TO 3 s. 0,1 s. STEPS |
| MAXIMUM HAND DRYER OPERATION TIME | FROM 0 A 30 s. 1 s. STEPS |
| MAXIMUM WATER SOLENOID VALVE OPERATION TIME | FROM 0 A 30 s. 1 s. STEPS |
| WATER TEMPERATURE REGULATION | WITH MIXER (INCLUDED) |
| SOAP AND WATER AUTOMATIC HYGIENE ACTIVATION | INCLUDED |
| COVER MATERIAL | ABS 3 mm AVERAGED THICKNESS |
| HAND DRYER BLOWER MATERIAL | ABS V0. 3 mm AVERAGED THICKNESS |
| NOMINAL INTENSITY | 5,3 A |
| VOLTAGE | 220 V – 240 V~ |
| STAND BY' CONSUMTION | 0,009 A |
| ELECTRICAL ISOLATION | CLASS II |
| PROTECTION INDEX AGAINTS WATER AND DUST | IP35 |
| HAND DRYER (INCLUDED AT CONTROL MODULE) | |
| POWER | 1200 W |
| ELECTRICAL PROTECTION | SAFETY THERMAL LIMITER |
| VALDAL PROOF AUTOMATIC SWICTH OFF | YES - MAXIMUM OPERATION TIME 30 s |
| MOTOR TYPE | UNIVERSAL |
| MOTOR SPEED | 32000 r.p.m. |
| AIR TEMPERATURE | 40°C at 10 cm |
| AIR SPEED | |
| AIR FLOW | 1980 l/min |
| DRYING TIME | 12 - 15 s. |
| SOAP DISPENSER (INCLUDED AT CONTROL MODULE) | |
| DOSAGE SYSTEM | PERISTALTIC PUMP |
| VOLTAGE | 5 V |
| INTENSISTY | 0,3 A |
| MATERIAL DEPOSIT | PC. TRANSLUCENT BLACK |
| DEPOSIT CAPACITY | 1,2 liters |
| WATER SOLENOID VALVE (INCLUDED AT CONTROL MODULE) | |
| MAXIMUM OPERATION PRESSURE | 8 BAR |
| MINIMUM OPERATION PRESSURE | 0,5 BAR |
| RECOMENDED OPERATION PRESSURE | 3 BAR |
| VOLTAGE | 5 V |
| CERTIFICATIONS | |
| SGS-CE | |



TECHNICAL DRAWING



DIMENSIONS IN mm



NOFER S.L.
 Avenida de la fama, 118
 08940 · Cornellà de Llobregat (Barcelona)
 Tel +34 934 742 423 · Fax +34 934 743 548
 nofer@nofer.com · www.nofer.com